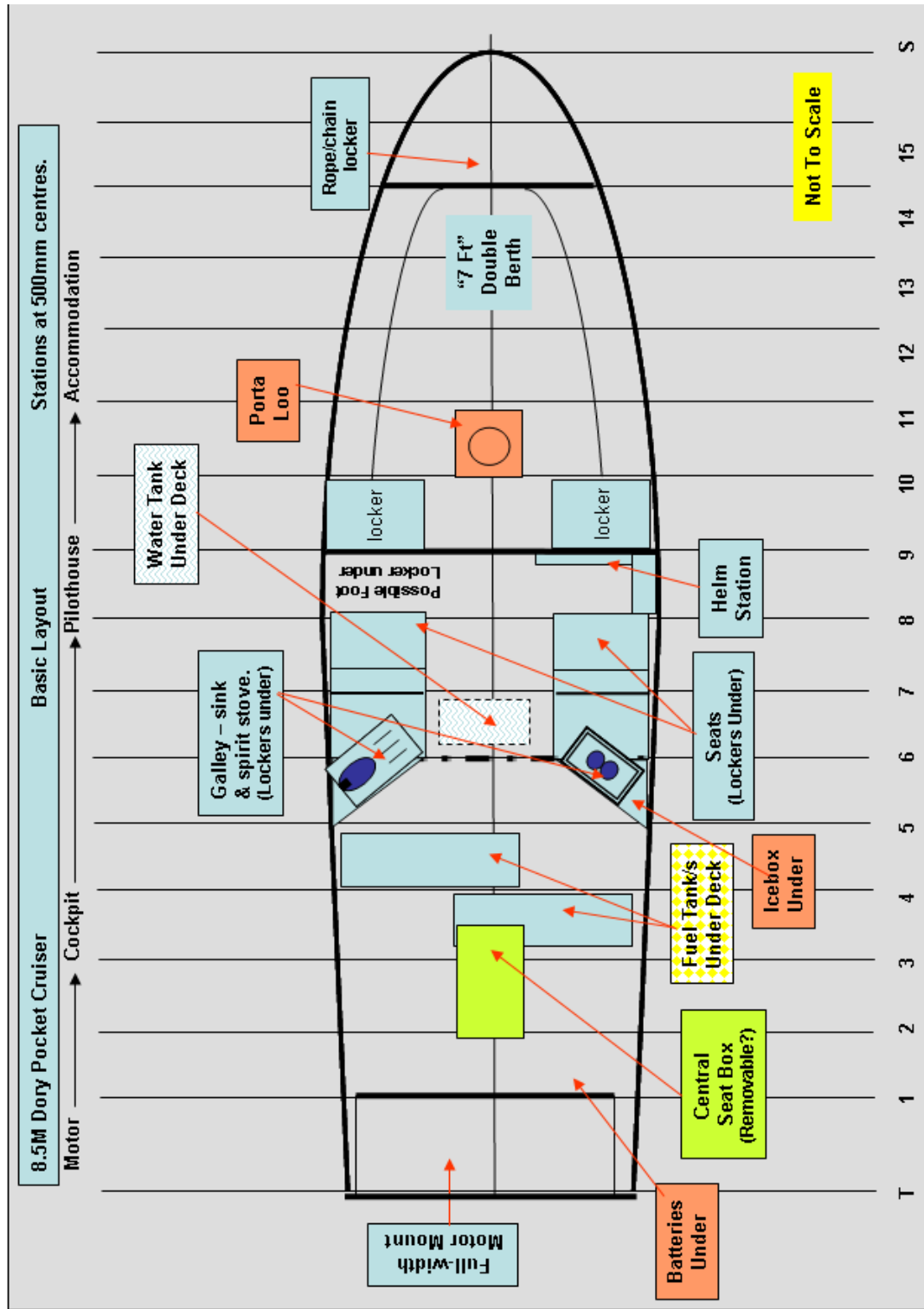
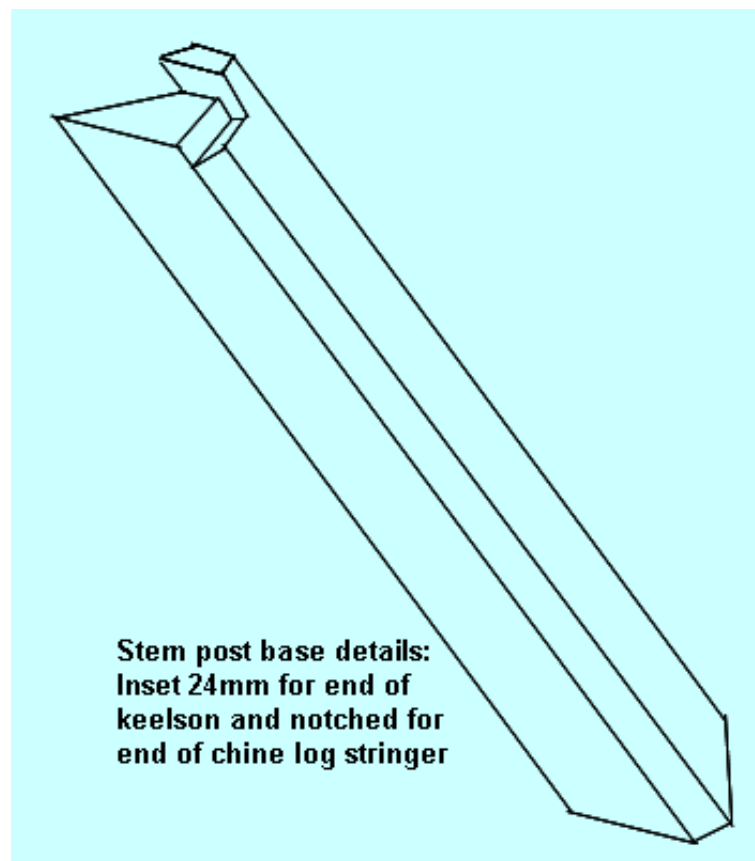
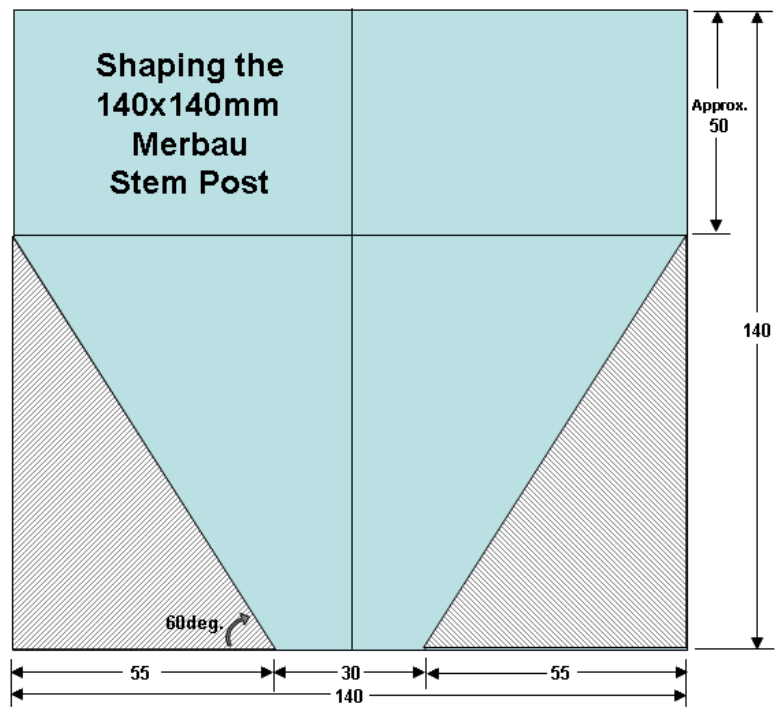
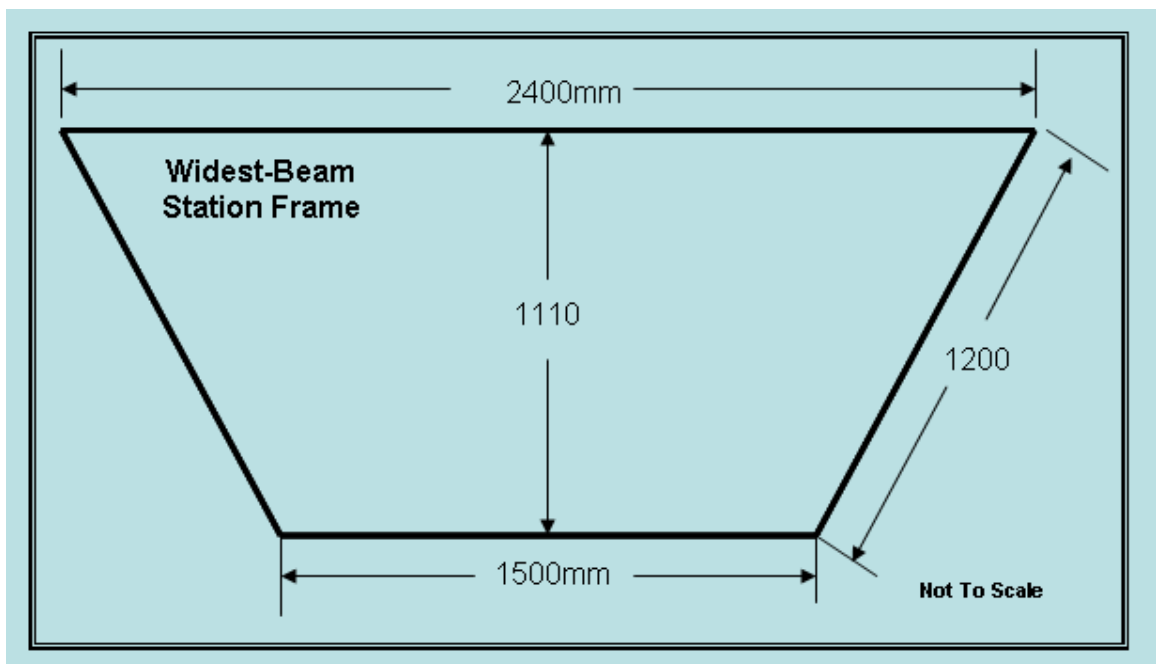
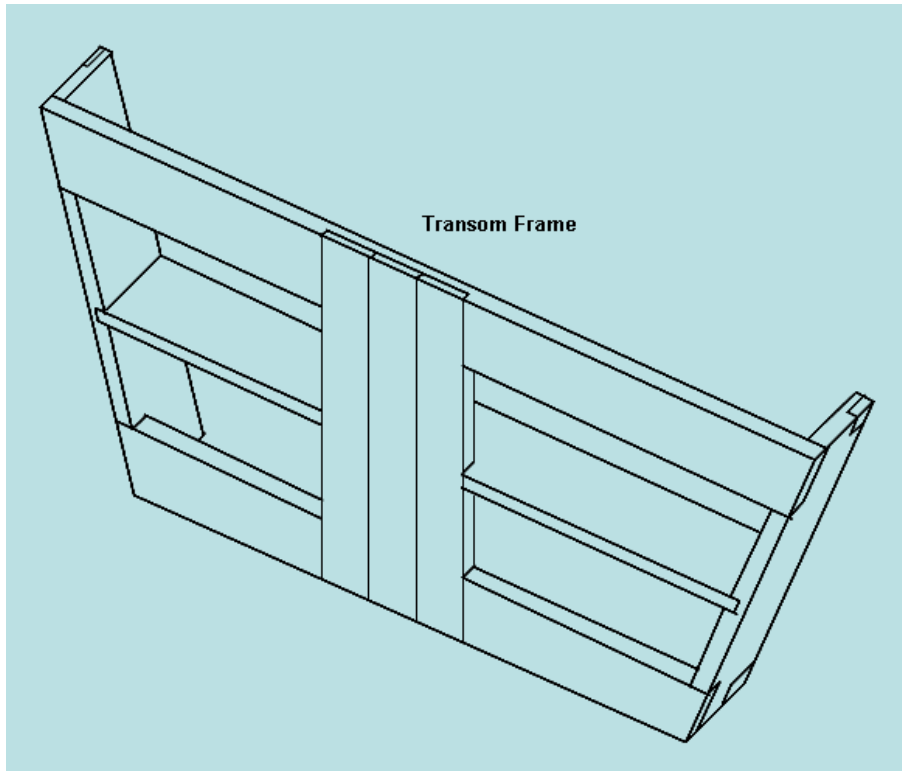


Dory Project Chat Sheet #8: Useful Diagrams for Part 1

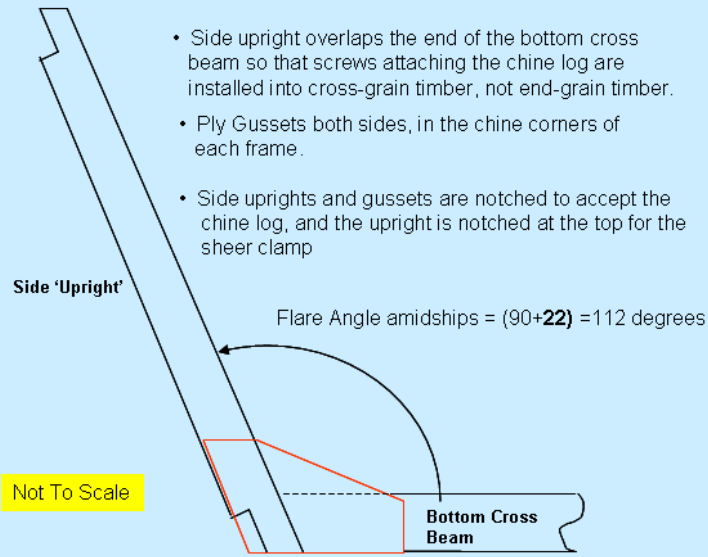
Bob Davis



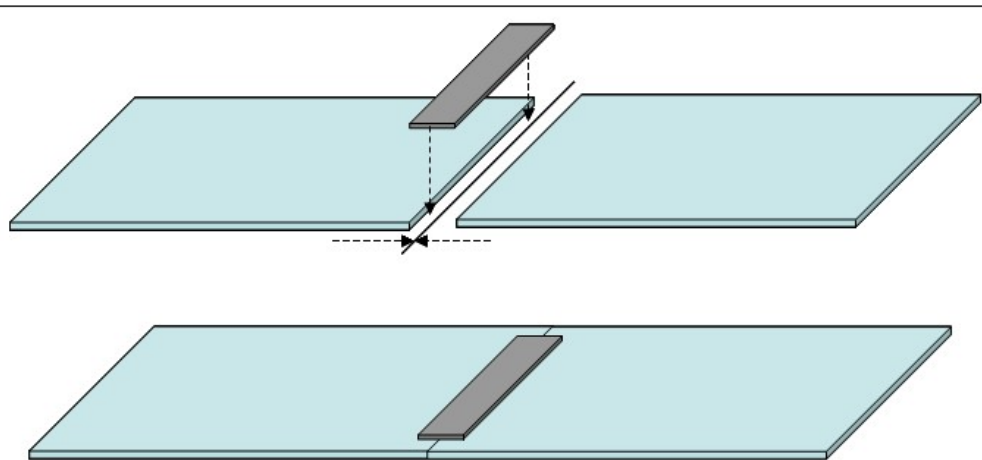




Each station frame comprises a bottom cross beam and two side uprights that are flared outwards.



STATION FRAMES



Butt Joint:

The two sheets are brought together end-to-end, with plastic sheeting beneath, and with epoxy glue on their end edges.

A strip of plywood 200mm wide, and the same thickness as the plywood sheets, is centred over the joint line and epoxy glued and nailed or screwed permanently into position.

Note that the butt strap is shortened to accommodate the chine log at one end, the sheer clamp at the other, these to be fastened along the long edges of the ply.